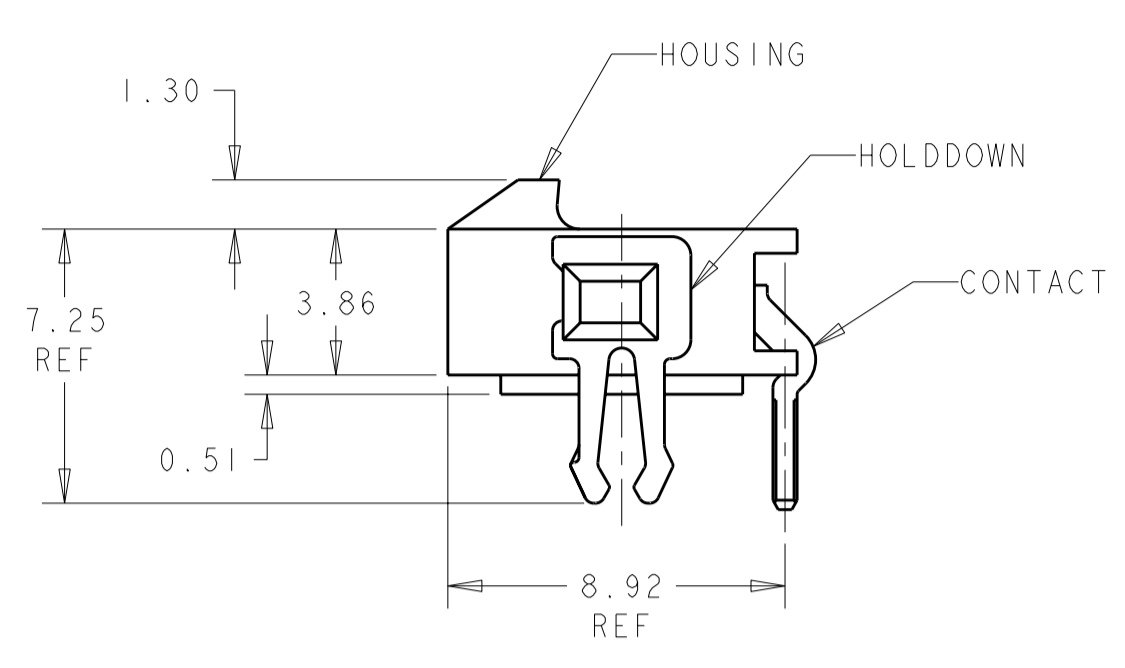
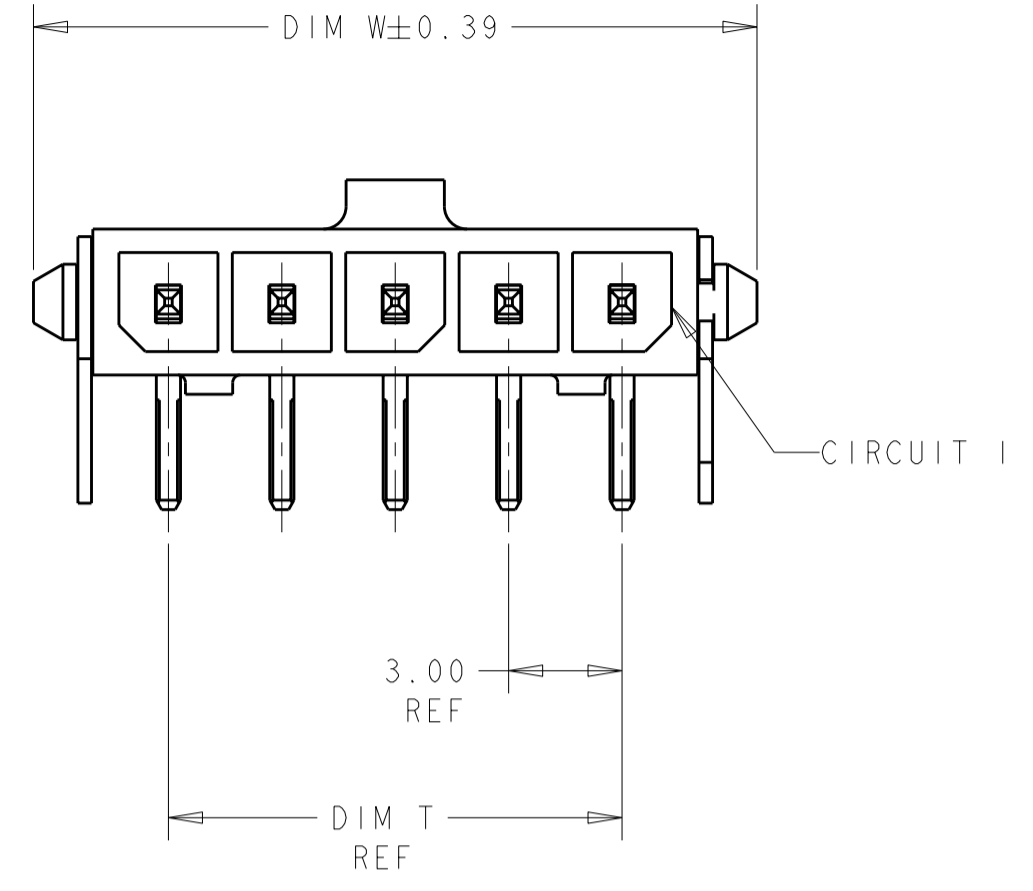
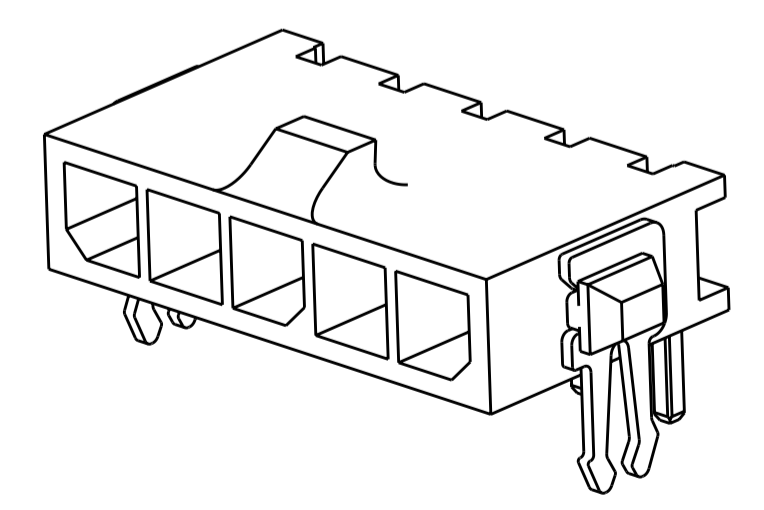
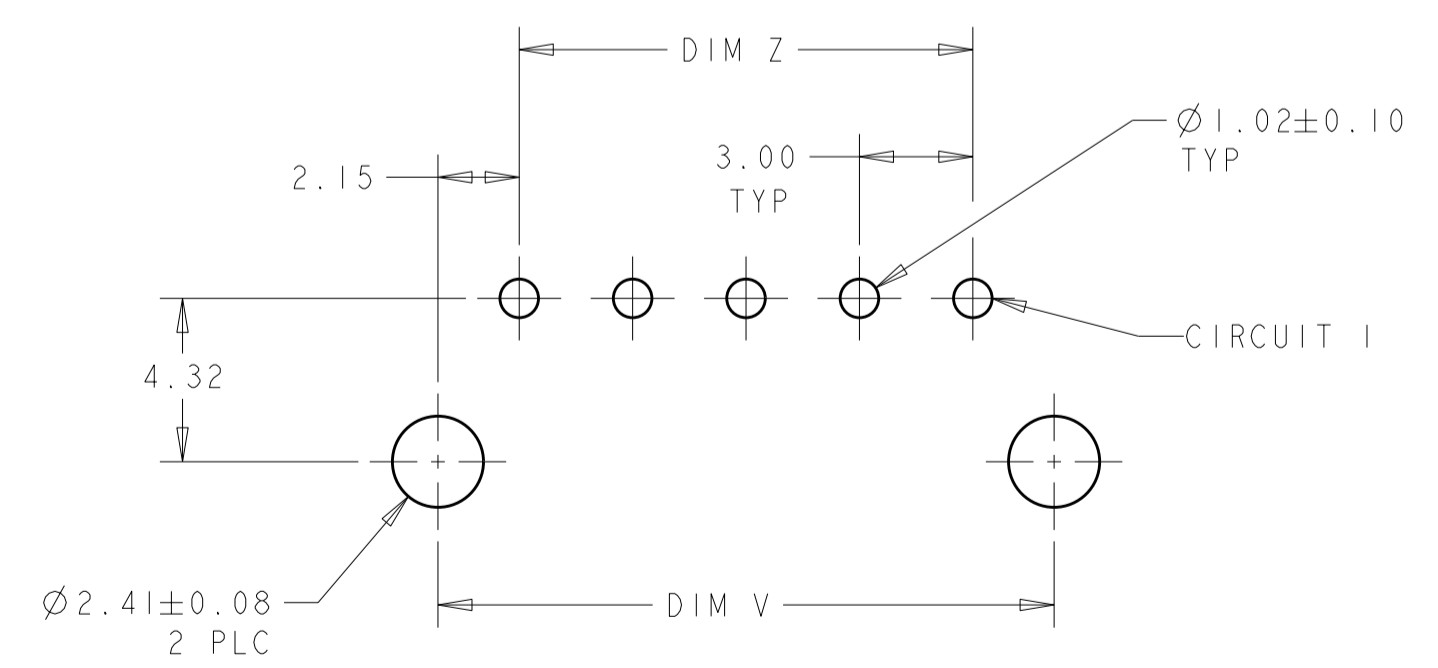
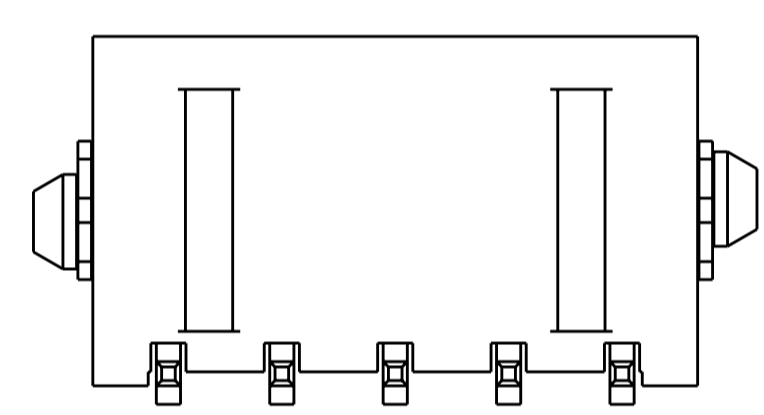


THIS DRAWING IS UNPUBLISHED. RELEASED FOR PUBLICATION 20
 © COPYRIGHT 20 BY - ALL RIGHTS RESERVED.

REVISIONS						
P	LTR	DESCRIPTION	DATE	DWN	APVD	
	AI	REVISED PER ECO-11-005027	17MAR2011	RK	HMR	

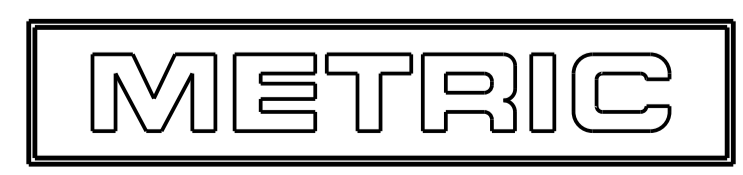


- 1 MATERIAL: CONTACTS - BRASS
HOUSING - UL 94V-0 RATED HIGH TEMP NYLON, COLOR BLACK.
HOLDDOWNS: - PHOSPHOR BRONZE.
- 2 PLATING: CONTACTS - 2.54µm MINIMUM TIN-LEAD OVER 1.27µm MINIMUM NICKEL.
HOLDDOWNS: 2.54µm MINIMUM TIN-LEAD OVER 1.27µm MINIMUM NICKEL.
- 4 RECOMMENDED PC BOARD THICKNESS OF 1.57.
- 5 PLATING: CONTACTS - 2.54µm MINIMUM MATTE TIN OVER 1.27µm MINIMUM NICKEL.
HOLDDOWNS: 2.54µm MINIMUM MATTE TIN OVER 1.27µm MINIMUM NICKEL.



FINISH	DIM Z	DIM V	DIM T	DIM W	NO. OF POSN	PART NUMBER
5	33.00	37.43	33.00	40.14	12	3-1445054-2
5	30.00	34.43	30.00	37.14	11	3-1445054-1
5	27.00	31.43	27.00	34.14	10	3-1445054-0
5	24.00	28.43	24.00	31.14	9	2-1445054-9
5	21.00	25.43	21.00	28.14	8	2-1445054-8
5	18.00	22.43	18.00	25.14	7	2-1445054-7
5	15.00	19.43	15.00	22.14	6	2-1445054-6
5	12.00	16.43	12.00	19.14	5	2-1445054-5
5	9.00	13.43	9.00	16.14	4	2-1445054-4
5	6.00	10.43	6.00	13.14	3	2-1445054-3
5	3.00	7.43	3.00	10.14	2	2-1445054-2
2	33.00	37.43	33.00	40.14	12	1-1445054-2
2	30.00	34.43	30.00	37.14	11	1-1445054-1
2	27.00	31.43	27.00	34.14	10	1-1445054-0
2	24.00	28.43	24.00	31.14	9	1445054-9
2	21.00	25.43	21.00	28.14	8	1445054-8
2	18.00	22.43	18.00	25.14	7	1445054-7
2	15.00	19.43	15.00	22.14	6	1445054-6
2	12.00	16.43	12.00	19.14	5	1445054-5
2	9.00	13.43	9.00	16.14	4	1445054-4
2	6.00	10.43	6.00	13.14	3	1445054-3
2	3.00	7.43	3.00	10.14	2	1445054-2

PCB LAYOUT COMPONENT SIDE 4



THIS DRAWING IS A CONTROLLED DOCUMENT. DWN J.ROOT 06OCT2000
 CHK K.WHITAKER 13-MAR-2001
 APVD K.WHITAKER 13-MAR-2001

STE TE Connectivity

NAME: RIGHT ANGLE THRU HOLE HEADER ASSY, TIN CONTACTS W/THRU HOLE HOLDDOWNS, SINGLE ROW, MICRO MATE-N-LOK™

SIZE: A2 CAGE CODE: 00779 DRAWING NO: 1445054 RESTRICTED TO: -

MATERIAL: SEE TABLE WEIGHT: -

PRODUCT SPEC: - APPLICATION SPEC: -

CUSTOMER DRAWING SCALE: 5:1 SHEET: 1 OF 1 REV: AI